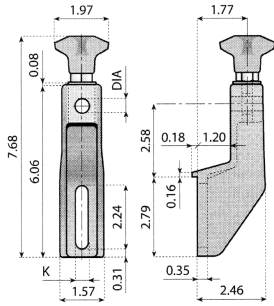


Side Guide Brackets

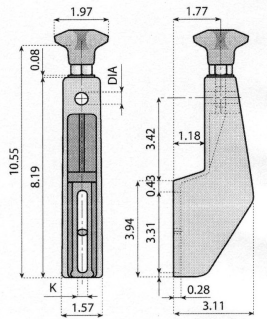
Description

Part Number



Small Fixed: Bracket with Eyebolt and Knob.
Fixed Bracket Used With Adjusting Rods to Hold Guide Rails.
Bracket Body & Knob in Polyamide
Eyebolt and Washer in Stainless Steel.

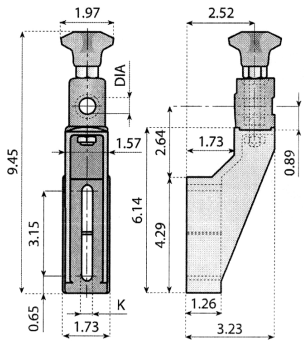
13696 DIA = 1/2"



Large Fixed: Bracket with Eyebolt and Knob.
Fixed Bracket Used With Adjusting Rods to Hold Guide Rails.
Bracket Body & Knob in Polyamide
Eyebolt and Washer in Stainless Steel.

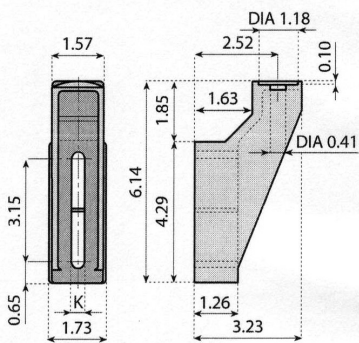
13332 DIA = 1/2"

13334 DIA = 5/8"



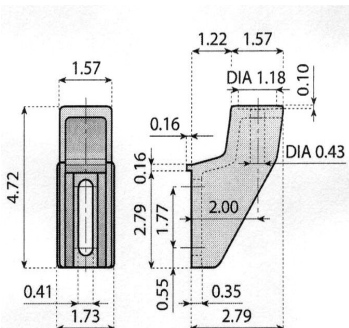
Adjustable Bracket: Bracket with Eyebolt and Knob.
Adjustable Bracket Used With Adjusting Rods to Hold Guide Rails.
Bracket Body & Knob in Polyamide
Eyebolt and Washer in Stainless Steel.

13054 DIA = 1/2"



Bracket Body: Reinforced Polyamide.

13020



Bracket Body: Reinforced Polyamide.

13040